

Hy-Lok

www.hy-lok.com

Catalog No. H-110BPTV
Jan. 2008

110P Series Push Turn Ball Valves



Design and Engineering

- Maximum operating pressure of 1000psig(6,895MPa) @100°F(38°C) with reinforced PTFE
- Low torque for easy operation
- Normally open type (N.O) and Normally close type (N.C)
- Locked normal position (open or close) for safety
- 100% factory tested before shipout

Application

- Chemical plants, Refineries, Steel mills, Fuel lines, Heavy vehicles, Semiconductor.



HY-LOK CORPORATION

©2008 HY-LOK CORPORATION All rights reserved



ISO 14001



OHSAS 18001

Table of Dimensions

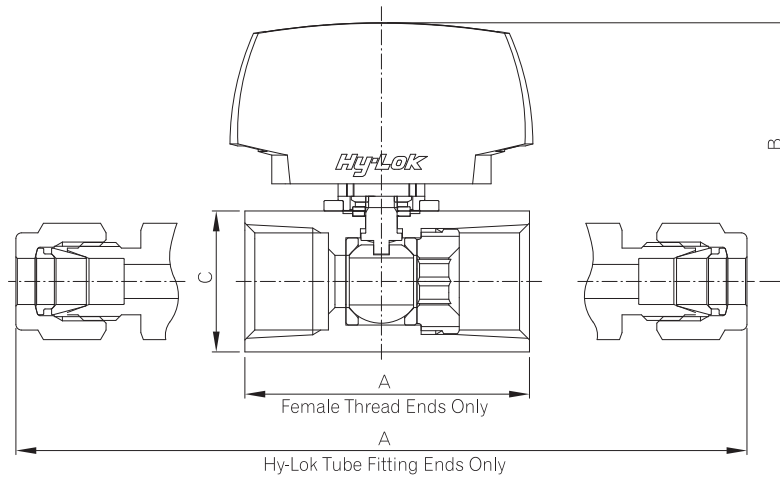
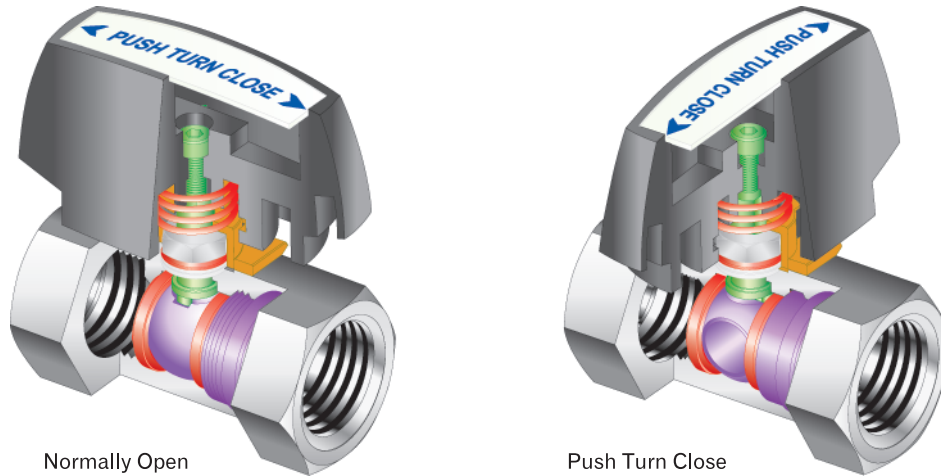
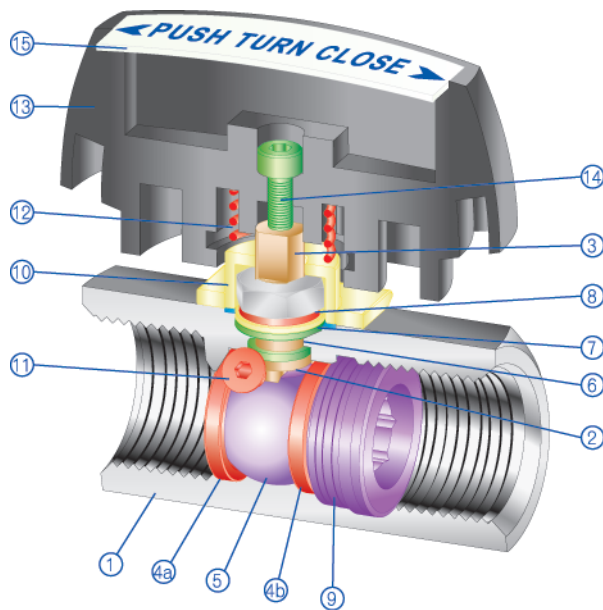


Table of Dimensions

Basic PartNo.	Orifice	Cv	End Connection	Dimensions			Weight (kg)
				A	B	C(Hex.)	
BPTVF - 10M	7.5	4.2	Both End	A	45	20.6	0.22
BPTVH - 6T			10mm Hy-Lok	90.0			
BPTVF - 6N			3/8" Hy-Lok	90.0			
BPTVH - 12M	9.0	6.5	3/8" FemaleNPT	45.0	50	27.0	0.13
BPTVH - 8T			12mm Hy-Lok	99.0			0.34
BPTVF - 8N			1/2" Hy-Lok	99.0			0.34
BPTVF - 16M	12.5	8.0	1/2" FemaleNPT	54.5	53	32.0	0.21
BPTVH - 10T			16mm Hy-Lok	109.0			0.49
BPTVF - 12N			8/5" Hy-Lok	109.0			0.49
BPTVH - 12T			3/4" FemaleNPT	61.0			0.33
BPTVF - 16T			3/4" Hy-Lok	110.0			0.57
BPTVH - 16T			1" Hy-Lok	134.0			0.85
BPTVF - 16N	1" Female NPT	76.0	0.60				

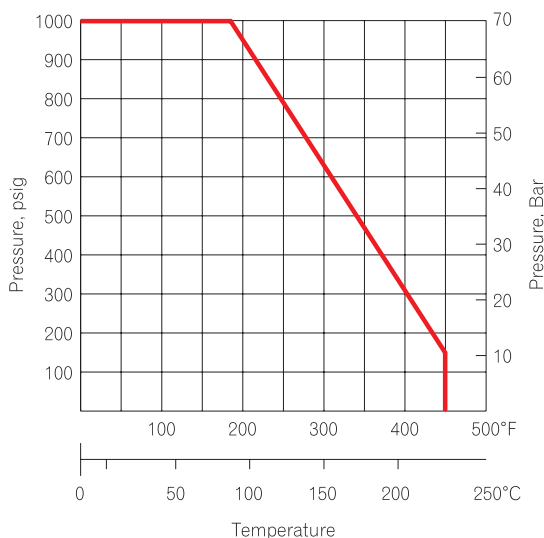
All dimensions are in millimeters. Dimensions shown with Hy-Lok nut in finger-tight position, where applicable.



Material of Constructions

No.	Description	Grade / ASTM Specification
1	Body	SS316 Brass
2	Inner Packing	Reinforced PTFE
3	Stem	SS316 / A479
4a	Seat #1	Reinforced PTFE
4b	Seat #2	Reinforced PTFE
5	Ball	SS316 / A479
6	Outer Packing	Reinforced PTFE
7	Gland	SS316
8	Nut	SS316
9	Insert	SS316 / A479
10	Stopper	SS316
11	Screw	SS304
12	Spring	SS304
13	Handle	Dielectric Nylon (Black Color)
14	Bolt	SS304
15	Handle Cover	Aluminum

Pressure and Temperature Rating



Ordering Information

BPTV (VALVE TYPE) | **F** (END CONNECTION) | **8N** (NPT / BSP) | **NO** (HANDLETYPE) | **S316** (BODY MATERIAL)

VALVE TYPE
END CONNECTION
 H : Hy-Lok Fitting
 F : Female Pipe Thread

NPT (ISO / BSP)

Thread (in.)	3/8	1/2	3/4	1
Designator	6N(R)	8N(R)	12N(R)	16N(R)

TUBE

Functional Tube	O.D(in)	3/8	1/2	5/8	3/4	7/8	1
	Designator	6T	8T	10T	12T	14T	16T
Metric Tube	O.D(mm)	10	12	15	16	22	25
	Designator	10M	12M	15M	16M	22M	25M

BODY MATERIAL
 S316 : 316 Stainless Steel
 BRAS : Brass

HANDLETYPE
 NO: Normally Open
 NC : Normally Close

SAFETY in VALVE SELECTION

Proper installation, material compatibility, operation and maintenance of the valves is the responsibility of the user. The total system design must be taken into consideration to ensure optimal performance and safety.



HY-LOK CORPORATION

■ **QUALITY SYSTEM CERTIFICATES**



ISO 9001
CERTIFICATE NO.GQC 212

ASME SECT III (MO)
CERTIFICATE NO. QSC 584

■ **TYPE APPROVALS** (for Hy-Lok Tube Fittings)



American Bureau Shipping
CERTIFICATE NO.05-BK576227-X



Lloyd's Register
CERTIFICATE NO.01/10075



GERMANISCHER LLOYD
CERTIFICATE NO.40297-01HH



DET NORSKE VERITAS
CERTIFICATE NO.P -10432



Distributed by :

www.hy-lok.com